

# Static Generator



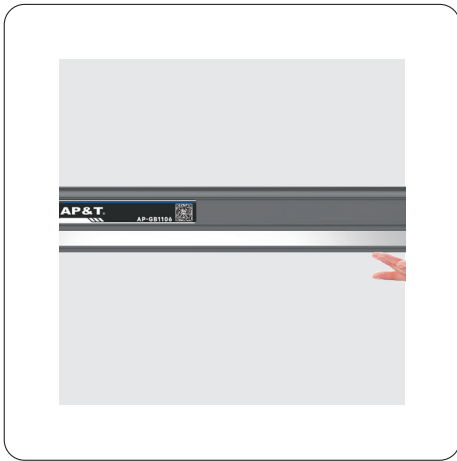
# Widely used in film, plastic, and other industries

Effectively solve the problems caused by static electricity

## ◆ Product Overview

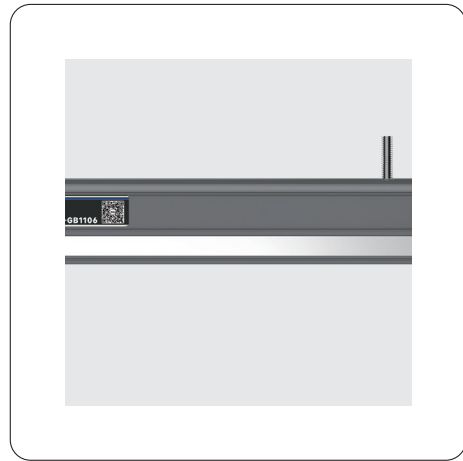
The AP-GB1106 static generation bar is a bar-shaped charging device developed and manufactured by Anping (AP&T) for electrostatic spraying on the surface of objects.

The AP-GB1106 static generation bar uses adjustable DC high voltage, acting on dedicated emission electrodes through impedance coupling devices, ionizing air molecules to generate positive or negative ions; these ions are then delivered to the surface of the charged object via compressed air, achieving efficient and reliable charging.



### ■ Electroshock-proof

Has a shock-proof function to prevent accidental human contact from causing injury.



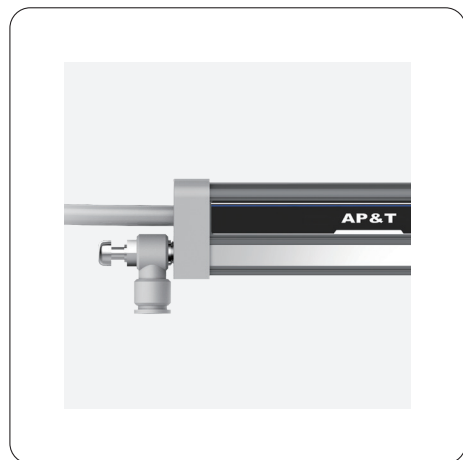
### ■ Easy installation

The back of the bar has a special strip-shaped slot, with movable installation bolts.



### ■ High Voltage Microcurrent

Works under high voltage and microcurrent ( $\mu\text{A}$  level).



### ■ Intake throttle

Features compressed air assistance for faster charging performance.

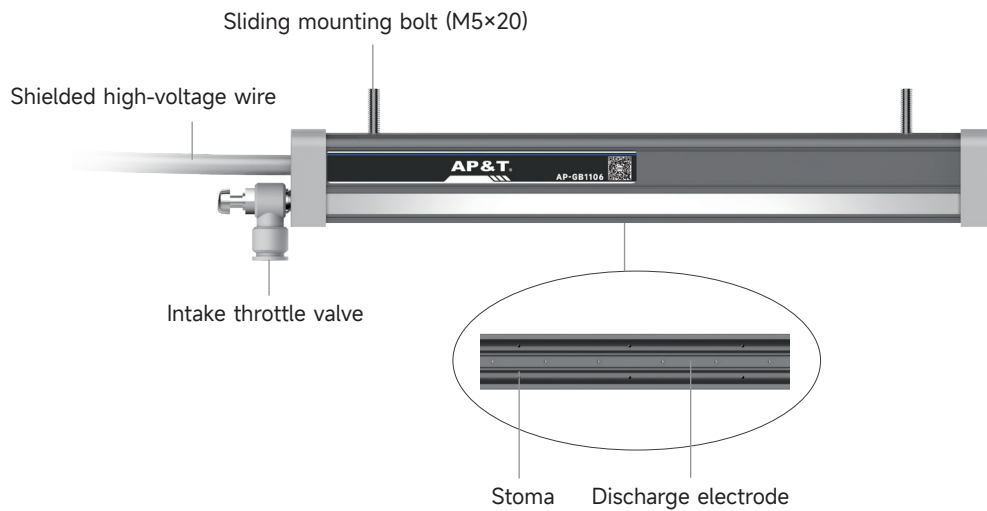
# Product Specifications

Product Parameter / Product Details / Product Size

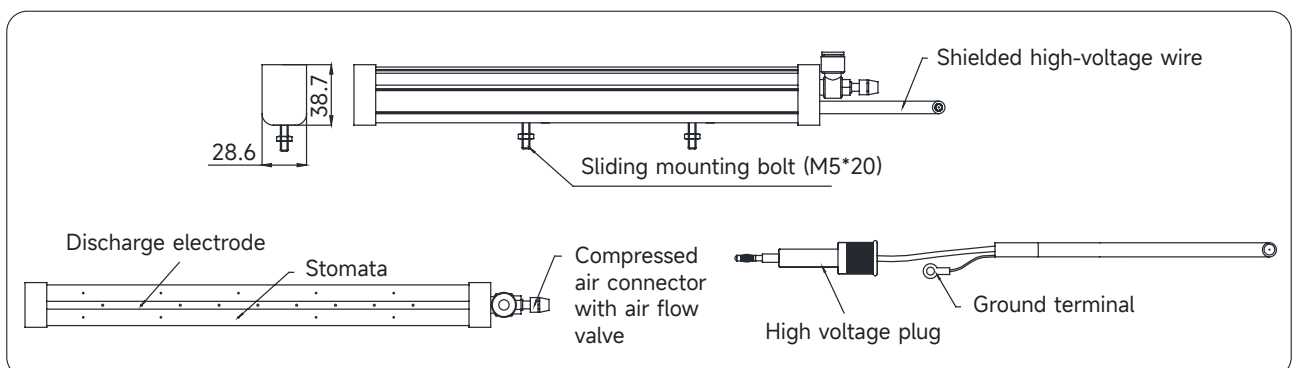
## ◆ Product Parameter

|                       |                                       |
|-----------------------|---------------------------------------|
| Model                 | AP-GB1106                             |
| Working voltage       | ±DC4000 → 9000V                       |
| Power                 | 6W                                    |
| Installation Distance | 100 → 600mm                           |
| Charging Range        | L*W*H (150mm → 3000mm) *300mm*600mm   |
| Air pressure          | ≤ 0.6MPa                              |
| Working temperature   | 0°C - 50°C                            |
| Working humidity      | < 70%                                 |
| Dimensions            | L*W*H (150mm → 3000mm) *28.6mm*38.7mm |
| Power cord length     | 2.5m (customizable upon request)      |
| Matching Power Supply | AP-GY2107                             |

## ◆ Product Details



## ◆ Product Size

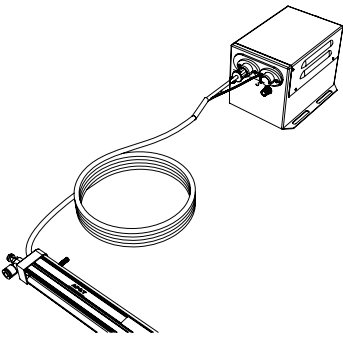


# Products Use

## Installation Step / Installation Position

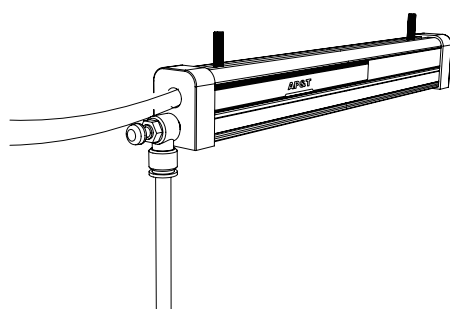
### ◆ Installation Step

**01**



- ▶ Select the best static discharge position and install the bar body and the supporting power supply firmly.
- ▶ Insert the high-voltage plug of the bar body into the high-voltage output connecting seat of the supporting high-voltage power supply.

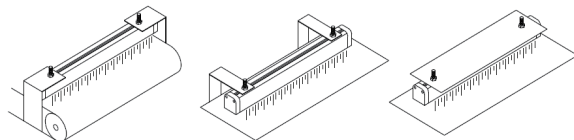
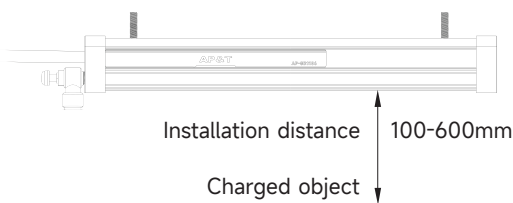
**02**



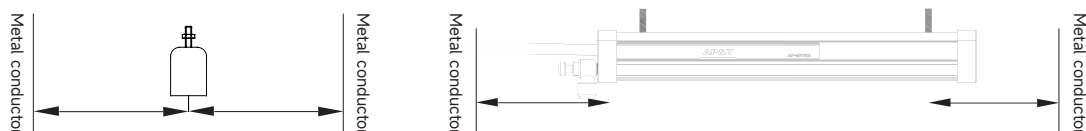
- ▶ Connect the grounding terminal of the bar body to the grounding stud of the high voltage power supply.
- ▶ Turn on the power switch to adjust the pressure of the compressed air so that the positive and negative air ions generated at the electrode needle neutralize.

### ◆ Installation Position

- ▶ When using the static generation bar, it should be placed within the working area where the object is to be charged (Ideally 100-600mm from the surface of the charged object). The installation angle should be perpendicular to the surface of the charged body.



- ▶ The area around the emission electrode of the static generation bar should be kept away from metal conductors and metal grounding bodies.



### **⚠ Safety warning**

- Please read the user guide carefully before installing and using this device.
- The grounding terminal of the power supply box's working input must be reliably connected to the power supply circuit's ground wire.
- This device should not be used in environments with humidity > 70%.
- It is strictly forbidden to use this device in flammable and explosive environments. Internal maintenance and repairs must be carried out by professionals.

### **⚠ Maintenance**

- The AP-GB1106 static generation bar undergoes rigorous testing and aging treatment before leaving the factory, fully meeting the performance indicators marked in the user manual.
- AP&T makes the following commitment to users: Within one year from the date of purchase, the company will repair or replace any defective parts free of charge after inspection. However, this commitment does not apply to the following situations:
  - A. Operation must be done 10 minutes after power cut off.
  - B. During the use of the static generation bar, clean it when ash or white deposits appear on the needle tip.
  - C. The ion bar must be powered on after alcohol is completely volatilized after cleaning. No other organic solvent can be used to clean the ion bar.
- If the red switch indicator light on the high-voltage power supply panel goes out, stop using the device. Have it checked and repaired by professional maintenance personnel. Only use it after the electrical performance indicators are confirmed to be normal.

# AP&T®

**AP&T®**

**SPECIALITY CREATES VALUE**

---

Professional electrostatic intelligent monitoring/analysis  
and elimination solution provider

Shanghai Anping Static Technology Co.,Ltd

Tel: 021-6451 7676

Website: [www.ap-static.com](http://www.ap-static.com)

Address: 3-4/F, Building 27, No.69, Guiqing Road, Shanghai, China

