

AP&T[®]

Shanghai Anping Static Technology Co.,Ltd

DC High Voltage Power Supply



AP-DC7201

—AP&T—

Product description

AP-DC7201 DC high voltage power supply is one of high voltage power supplies series for static eliminators produced by Anping Company (AP&T). It is used to control the static electricity on the surface of the target object so as to realize the static safety of the static electricity. It is a dedicated power supply for DC ion bar products.

Product features

- ① Low power and high efficiency.
- ② High voltage and low current.
- ③ Safe and reliable with excellent performance.
- ④ Easy to install. Quick-release interface.

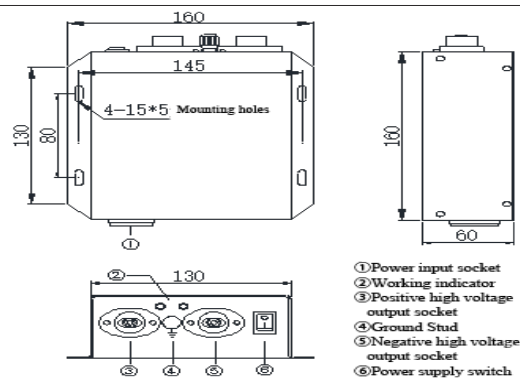
Specification

Model	AP-DC7201
Input voltage	AC220V/ 50Hz or AC110V/ 60Hz (customizable)
Output voltage	±DC6000V—DC14000V (Built-in adjustable)
Power	5W
Working temperature	0°C—45°C
Working humidity	<70%RH
Net weight	1340g
Gross weight	1550g
Dimensions: L*W*H	130*160*60mm

Installation

- ① Insert the national standard power cord plug into the mains socket.
- ② Insert the high-voltage connector of the static elimination device into the high-voltage output socket of the power supply and connect its grounding terminal to the grounding stud of the high-voltage power supply.
- ③ Turn on the power switch. The switch indicator lights up to show that the power supply is working.

Dimensions



AP-DC7201 power supply

Maintenance

Stop using when the red switch working indicator light is off and ask for inspection and repairation by professionals. It can be used after the electrical performance are back to normal.

■ Safety warning

- Please read the instruction manual carefully before installing and using this equipment.
- The working input power of the power box must be reliably connected to the grounding wire of the electrical power supply circuit and the grounding resistance is less than 4 ohms; otherwise, it is easy to cause abnormal or even damage to the ion bar and high-voltage power supply.
- It is not suitable to use this equipment in an environment with a humidity > 70%.
- It is strictly forbidden to use this equipment in flammable and explosive environments.
- It is strictly forbidden to disassemble the product without authorization. Internal maintenance and repair must be performed by professionals.
- It is strictly forbidden to touch liquid during use, otherwise an abnormality may occur and cause electric shock or fire.
- Turn off the power when checking or replacing the product, otherwise it may cause electric shock or fire.
- The product is specially designed to eliminate static electricity and is strictly prohibited for other purposes. Any abnormal use may cause machine failure, electric shock, fire and other hidden dangers.
- Please check the input voltage before powering on the product. Any power supply that does not meet the specifications will cause damage or even malfunction to the product.
- Please check the power cord of the product regularly and replace it immediately if it is damaged, otherwise it will easily cause problems such as electric leakage and abnormal operation.

■ After-sales service

- ① The high-voltage power supply has undergone rigorous testing and aging treatment before leaving the factory and its performance fully meets the relevant indicators marked in the instructions for use.
- ② Manufacturer will repair or replace any defective parts that have been inspected by for free within one year from the date of purchase. However, this commitment does not apply to the following situations:
 - The equipment is misused and installed;
 - Damage caused by negligence and accident during use;
 - It has been altered, disassembled or repaired by other service departments not authorized by Anping Company.
- ③ AP&T does not assume any obligations and related responsibilities of product users except for the repair or replacement of parts within this regulation.

■ Packaging accessories

- ① Warranty card
- ② Manual
- ③ Certificate of conformity
- ④ National standard power cord